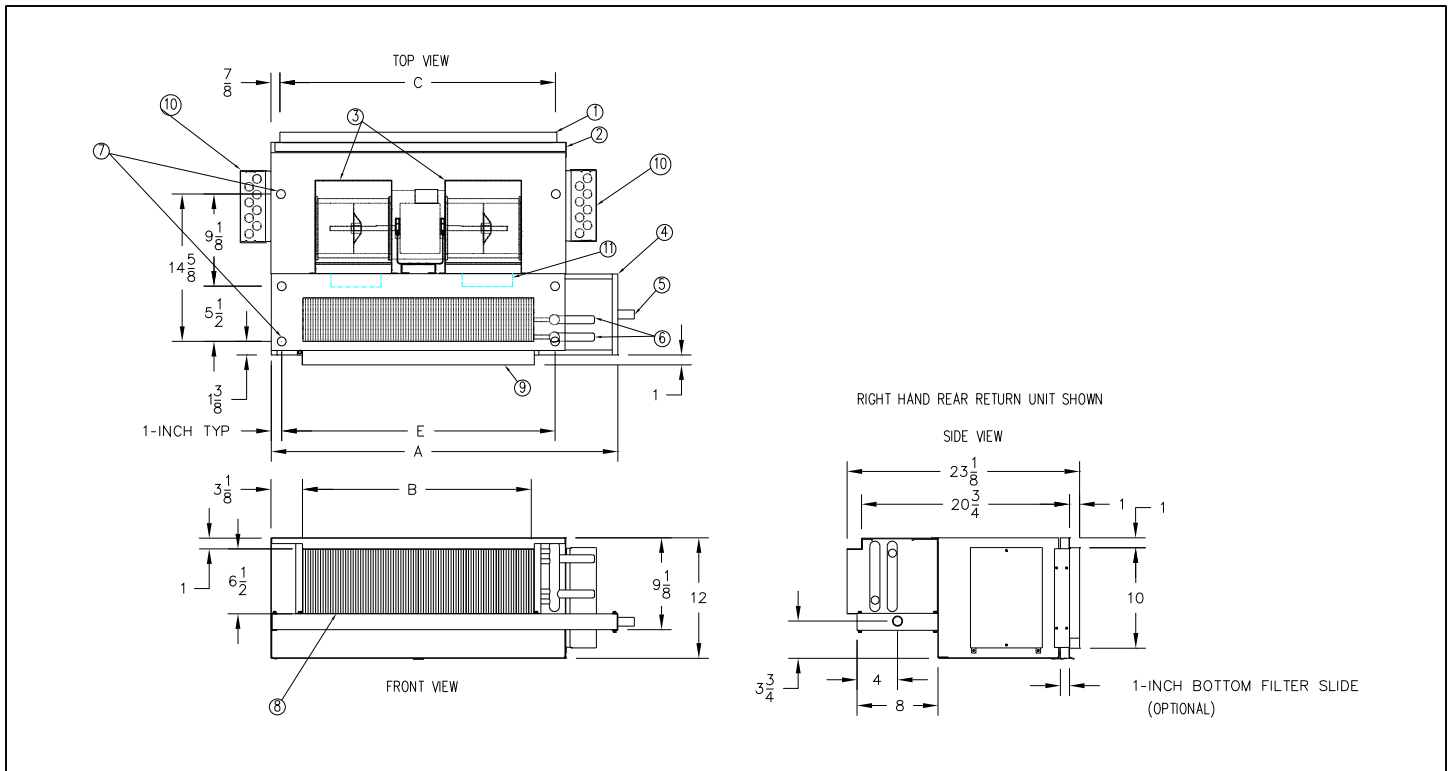


HBP

Fan Coil Unit

Horizontal Basic Concealed Ceiling with Plenum



Model	Dimensions (inches)						Approx. Weight (lb)
	A	B	C	D	E	Filter	
HBP02	25 1/2	14 1/4	18 1/4	5/8	18 1/2	20x12x1	63
HBP03	28 1/2	17 1/4	21 1/4	5/8	21 1/2	23x12x1	70
HBP04	34 1/2	23 1/4	27 1/4	5/8	27 1/2	27x12x1	80
HBP06	43 1/2	32 1/4	36 1/4	5/8	36 1/2	38x12x1	99
HBP08	51 1/2	40 1/4	44 1/4	5/8	44 1/2	46x12x1	106
HBP10	61 1/2	50 1/4	54 1/4	7/8	54 1/2	56x12x1	136
HBP12	71 1/2	60 1/4	64 1/4	7/8	64 1/2	66x12x1	150

1. Return air duct collar
2. Filter (optional) - rear return shown
3. Blower / motor assembly
4. Condensate pan
5. Drain connection - 3/4" MNPT
6. Chilled water connections (supply and return) O.D. = 'D'; Hot water connections = 5/8" O.D.
7. Mounting holes with rubber grommets
8. Coil assembly
9. Supply air duct collar
10. Control/Electrical box*

*Control box may be mounted on either side of unit

Accessories (Optional)

Check if provided.

Motor Quick Disconnect, Rear Return Only

Thermostat _____

Control Transformer & Fan Relays

Aquastat Changeover Switch

Unit Disconnect Switch

Fuse

Accessories (Optional)

Coil - 3/8" O.D. Copper Tube; 10 Fins/Inch Aluminum, Sine Wave

2-Pipe

- 2-Row
 3-Row
 4-Row
 5-Row

4-Pipe (Cooling Rows/Heating Rows)

- 2/1-Row
 3/1-Row
 3/2-Row
 4/1-Row

- Chilled Water Cooling
 Hot Water Heating
 Glycol Cooling
 Glycol Heating

Motor(s) - 3 speed PSC

Standard
115V/60Hz/1ph

Model	HP	Total Amps
HBP02	1/20	0.8
HBP03	1/20	0.8
HBP04	1/20	0.8
HBP06	1/10	1.5
HBP08	1/10	1.5
HBP10	2 x 1/10	2 x 1.5
HBP12	2 x 1/10	2 x 1.5

Optional:

- 208V/60Hz/1ph
 230V/60Hz/1ph
 277V/60Hz/1ph

Features:

- Automatic Reset
- Thermal Overload Protection System

Electric Heat (Single Phase)

Heater Voltage

- 115V
 208V
 230V
 277V

		Electric Heater kW Primary or Supplementary			
		115 Volts	208 Volts	230 Volts	277 Volts
Size	Blowers	Min-Max kW	Min-Max kW	Min-Max kW	Min-Max kW
02	1	1-2 kW	1-2 kW	1-2 kW	1-2 kW
03	1	1-3 kW	1-3 kW	1-3 kW	1-3 kW
04	2	1-4 kW	1-4 kW	1-4 kW	1-4 kW
06	2	1-4 kW	1-6 kW	1-6 kW	1-6 kW
08	2	1-4 kW	1-8 kW	1-8 kW	1-8 kW
10	4	2-4 kW	2-9 kW	2-10 kW	2-10 kW
12	4	2-4 kW	2-9 kW	2-10 kW	2-12 kW

Condensate Pan <input type="checkbox"/> Galvanized (STD.) <input type="checkbox"/> Safety Overflow Float Switch* <input type="checkbox"/> Safety (Two) Drain Connection <input type="checkbox"/> Extension Plate <input type="checkbox"/> Mastic Coating <input type="checkbox"/> Stainless Steel Inner Layer		Description: Inner and Outer Layer of 18 gauge Galvanized Sheet Metal with One - Inch Internal Insulation
*24V, requires transformer and fan relay if not obtained with a 24V thermostat.		

Valves and Valve Accessories <input type="checkbox"/> Shut - Off Valve(s) <input type="checkbox"/> Strainer(s) <input type="checkbox"/> Shut - Off Valve w/ Memory Stop <input type="checkbox"/> Manual Flow Control Valve(s) <input type="checkbox"/> 2 - Way Motorized Valve <input type="checkbox"/> Automatic Flow Control Valve(s) <input type="checkbox"/> 3 - Way Motorized Valve <input type="checkbox"/> Unions <input type="checkbox"/> 2 - Way Modulating Valve <input type="checkbox"/> Pete's Plug(s)	
--	--

General Description

- This horizontal discharge fan coil unit is designed for concealed applications where a return air plenum is required. Typical installations are above closets, hallways, bathrooms in hotels, motels, condominiums and general commercial applications.
- Exterior fabricated of 18 gauge galvanized steel with 1/2" matte-faced liner for maximum thermal and acoustical insulation.
- Removable motor/blower assembly.
- Throwaway filter.
- Manual Air Vent.
- System charged with air to insure a leak free arrival at the job site.
- Plenum designed for bottom or rear return and provided with filter clips (required on bottom return), horizontal filter slide or vertical filter slide.

This submittal is meant to demonstrate general dimensions of this product. The drawings are not meant to detail every aspect of the product. Drawings are not to scale. Titus reserves the right to make changes without written notice.



605 Shiloh Road • Plano, Texas 75074 • 972-212-4800